

PRELIMINARY**H10770(P)A-40/-50 Specifications****PROTECTION CIRCUIT 50uA****Maximum Ratings**

Parameter	-40/-50 ^{*1}	Unit
Main unit input voltage	+18	V dc
Operating temperature	+5 to +25	Cel
Storage temperature	-20 to +50	Cel
Output Current	2	μA
Control Voltage (Vcontrol)	+0.9(Input impedance for Vcont. is 100 kΩ)	V

*1 with protection circuit / limit 50 uA

Specifications General

(Ta = 25 Cel)

Parameter	-40	-50	Unit
Spectral response	300 to 720	380 to 890	nm
High voltage power supply and Voltage Regulator Supply voltage range	+11.5 to +15.5		V dc
High voltage power supply and Voltage Regulator Supply Current Requirement (Maximum)	62		mA
Supply Adjustable Range (Relative Sensitivity)	1:50		-
Setting Time(Sensitivity Control) ^{*1}	0.2		s
Effective Area (dia.)	5		mm
Weight (Approx.)	110		g

*1) Stabilized time in the control voltage adjustment from +1.0 V to +0.5 V.

Series Characteristics

(Ta = 25 Cel)

Parameter		-40	-50	Unit	
H10770A	Radiant Sensitivity	at 420 nm	54	Typical × 10 ⁻⁶ A/nW	
		at 550 nm	88		
		at 800 nm	-		45
Dark Current ^{(A) (B)}	Typical	3.3	4.1	nA	
	Maximum	9.3	11.6		
H10770PA	Radiant Sensitivity	at 420 nm	108	Typical × 10 ⁻⁶ A/nW	
		at 550 nm	176		50
		at 800 nm	-		90
Dark Count ^{(B) (C)}	Typical	6000	7500	1/s	
	Maximum	18000	22500		
Induced Ripple in Signal ^(D)		0.6		Maximum mV p-p	
Anode Pulse Rise Time ^(A)		1.00		ns	
Recommended Control Voltage Range Vcontrol		+0.50 to +0.80		V	

(A) Control Voltage : +0.8 V ; Temperature control at 25 Cel.

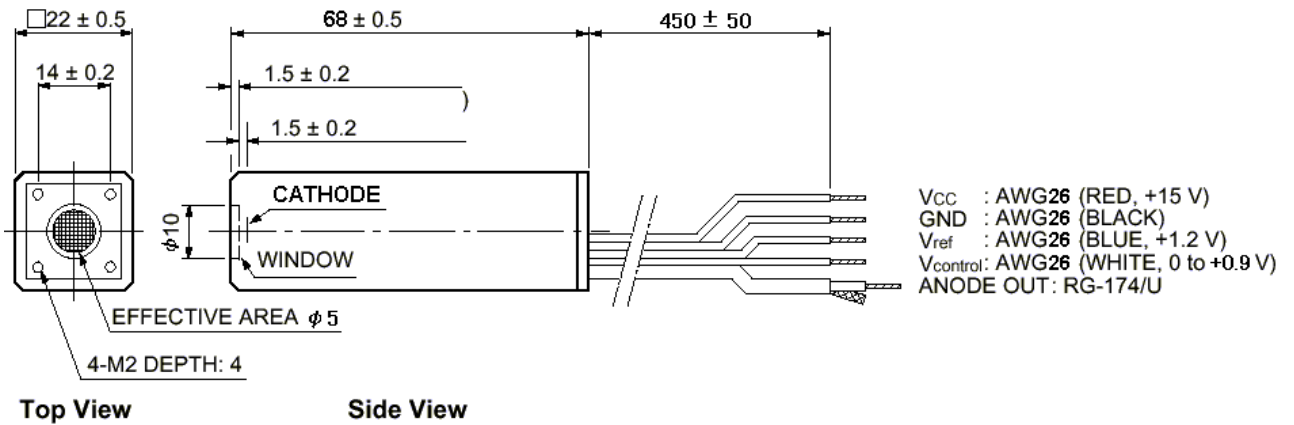
(B) After 30 min storage in darkness.

(C) Control Voltage : Plateau ; Temperature control at 25 Cel.

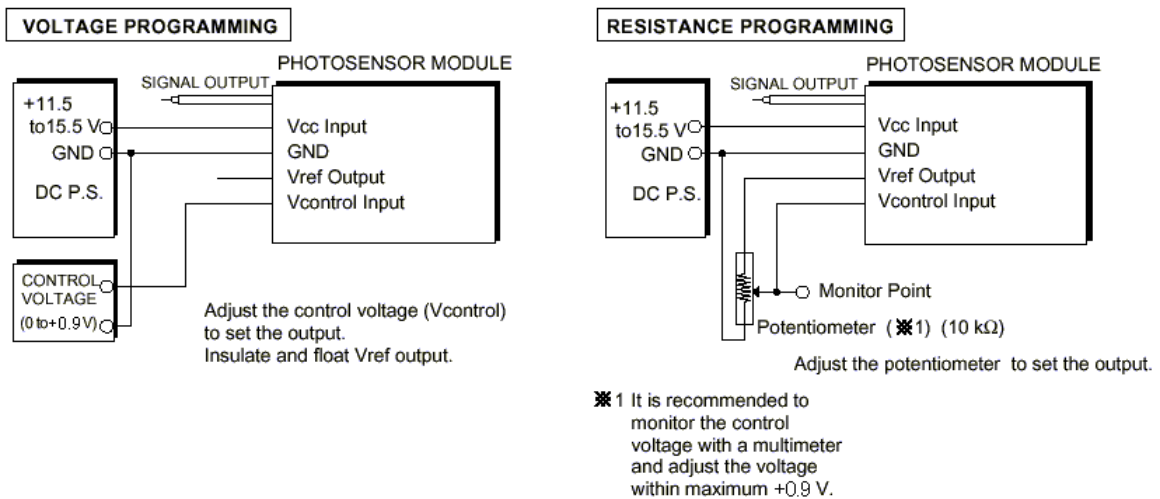
(D) Measured across 1 MOhm / 22 pF load

Dimensions

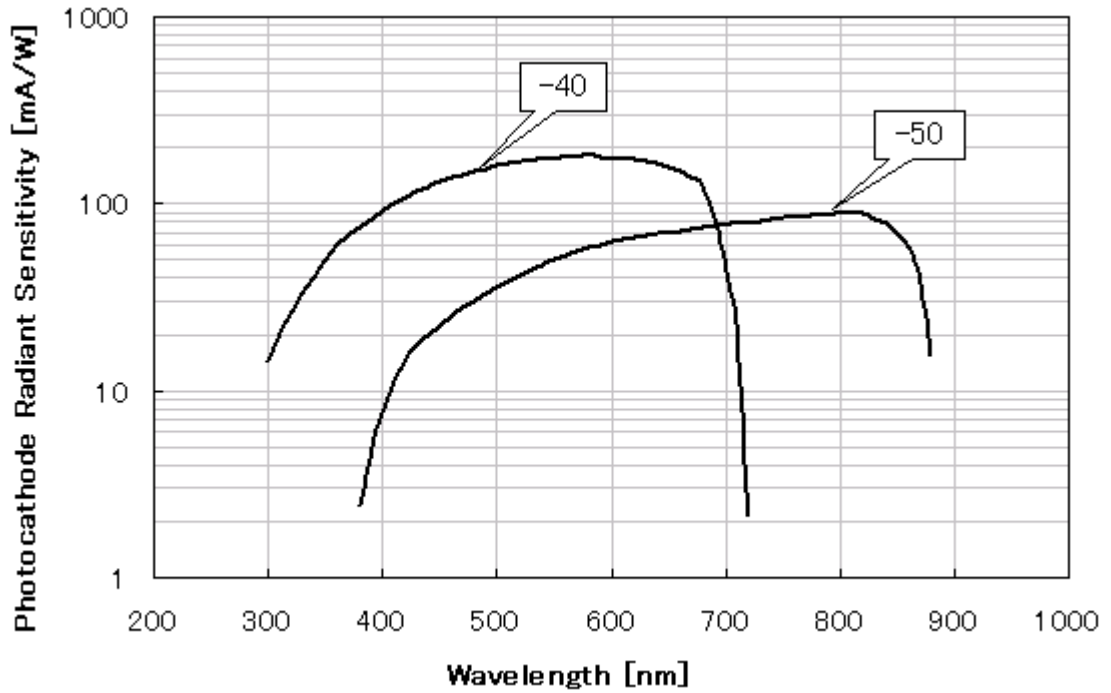
Unit : mm



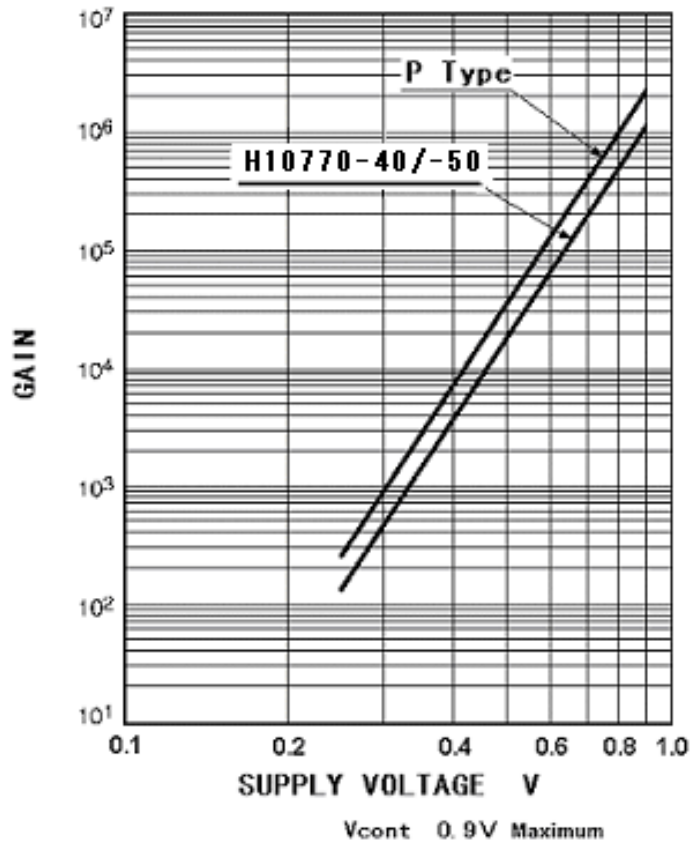
Wiring Examples For Sensitivity Adjustment



Typical Spectral Photocathode Radiant Sensitivity (H10770(P)A-40/-50)

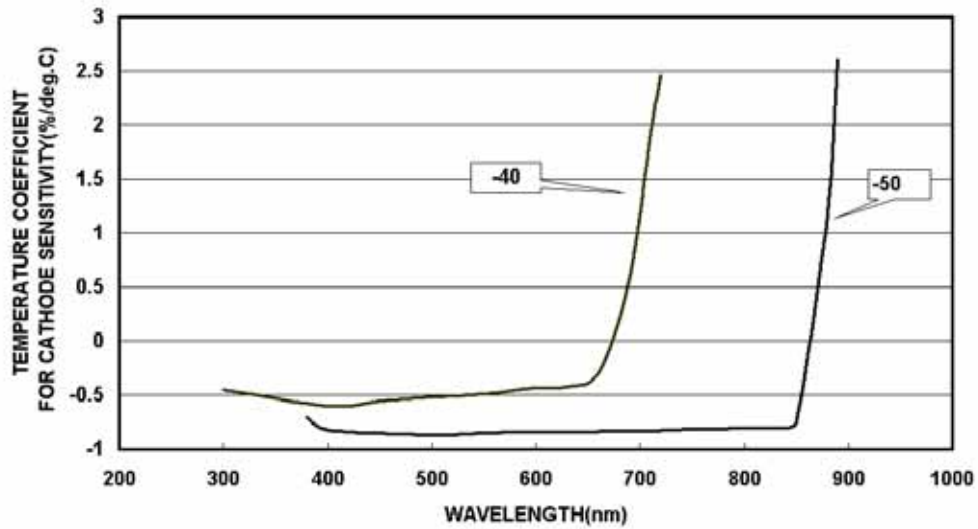


Typical Gain Characteristics (H10770(P)A-40/-50)



Temperature control at 10 Cel

Temperature Coefficient



For further information, contact our sales office in your country.

HAMAMATSU PHOTONICS K.K.,

HOME PAGE URL <http://www.hamamatsu.com>

Electron Tube Center

314-5, Shimokanzo, Iwata-city, Shizuoka-ken, 438-0193, Japan

Telephone: (81)539-62-5248, Fax: (81)539-62-2205

Characteristics and specifications are subject to change without prior notice.

©2008 Hamamatsu Photonics K.K.

HAMAMATSU